

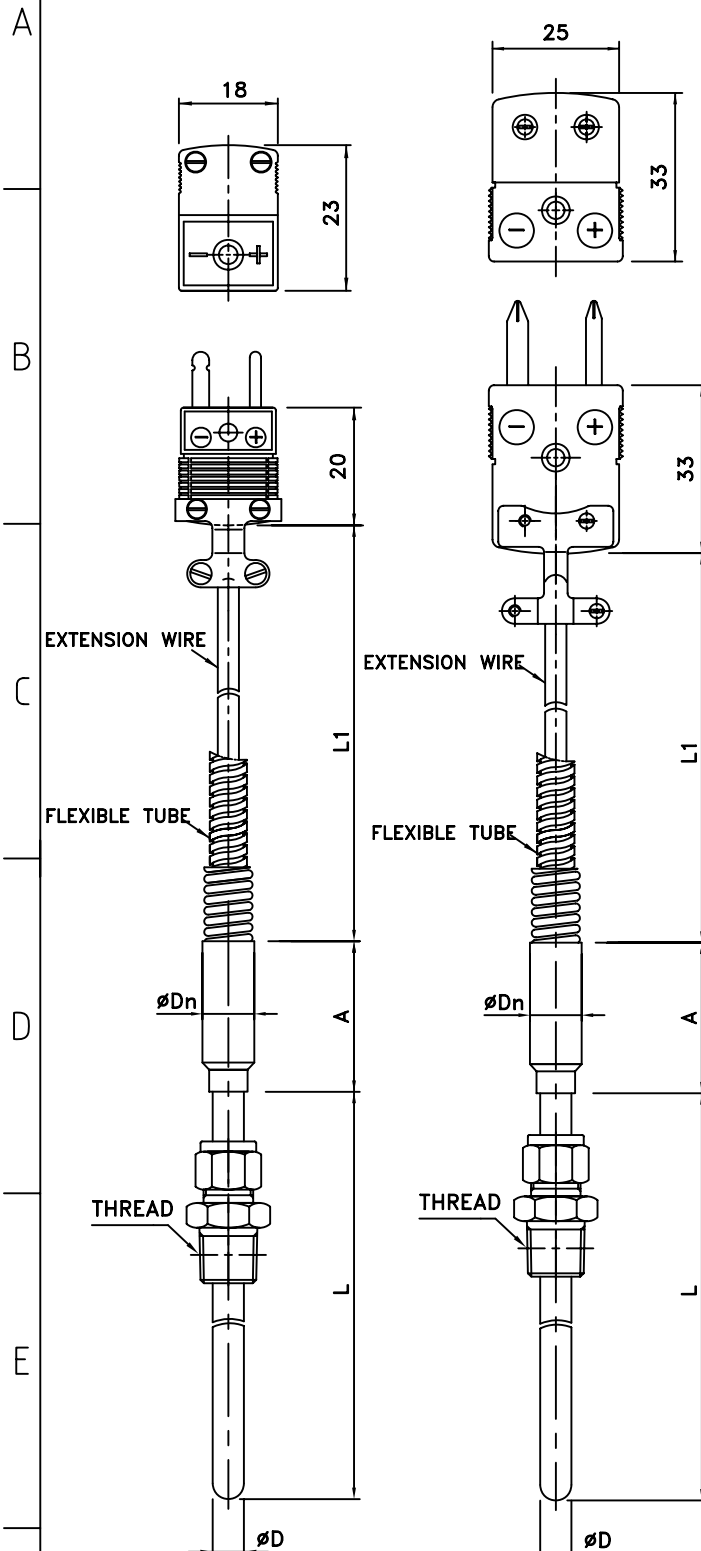
ST SUPER THERMOCOUPLES MODEL SST-111COM

***GENERAL SPECIFICATION**

- PROBE TYPE SUPER SHEATHED TYPE
- TRANSITION UNIVERSAL STANDARD(OSTW)
MINI(SMPW) CONNECTOR TYPE
- MOUNTING TYPE COMPRESSION FITTING

***ORDER SPECIFICATION**

- ELEMENT
- ① CALIBRATION
 - 1. N 2. K
- ② GRADE
 - 1. CLASS 1 2. CLASS 2
 - 3. CLASS 3 4. OTHER []
- ③ NUMBER OF ELEMENT WIRE
 - 1. 2-WIRE [SINGLE] 2. 4-WIRE [DUAL]
- ④ TYPE OF HOT JUNCTION
 - 1. GROUNDED TYPE 2. UNGROUNDED TYPE
 - 3. EXPOSED TYPE
- SHEATHED TUBE
- ⑤ MATERIAL
 - 1. SUPPER ALLOY 2. OTHER []
- ⑥ OUT DIA (∅D)
 - 1. 0.25 2. 0.5 3. 1.0 4. 1.6
 - 5. 2.3 6. 3.2 7. 4.8 8. 6.4
 - 9. 8.0 10. OTHER []
- ⑦ LENGTH (L)
 - _____ mm
- SLEEVE
- ⑧ OUT DIA (∅Dn)
 - _____
- ⑨ LENGTH (A)
 - _____ mm
- EXTENSION WIRE
- ⑩ INSULATION
 - 1. SHIELD 2. PVC
 - 3. GLASS 4. OTHER []
- ⑪ COVER MATERIAL
 - 1. NONE 2. FLEXIBLE TUBE 3. OTHER []
- ⑫ LENGTH (L1)
 - _____ mm
- MOUNTING
- ⑬ THREAD SIZE
 - 1. PT1/2 2. PT3/4
 - 3. PF1/2 4. PF3/4 5. OTHER []
- ⑭ COMPRESSION FITTING MATERIAL
 - 1. SUS304 2. SUS316 3. OTHER []
- CONNECTOR
- ⑮ TYPE
 - 1. STANDARD(OSTW) 2. MINI(SMPW)
- SPECIAL REQUIREMENT



5					CUSTOMER	Design	Scale	N.S
4						Checked	Wt Est - Kg	
3				Approved		Date		
2				TITLE				
1				MODEL				
Item	Part Name	Material	Q'ty	Remark				